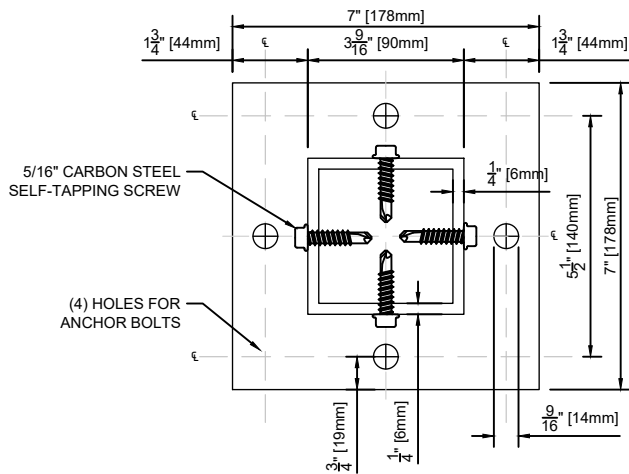




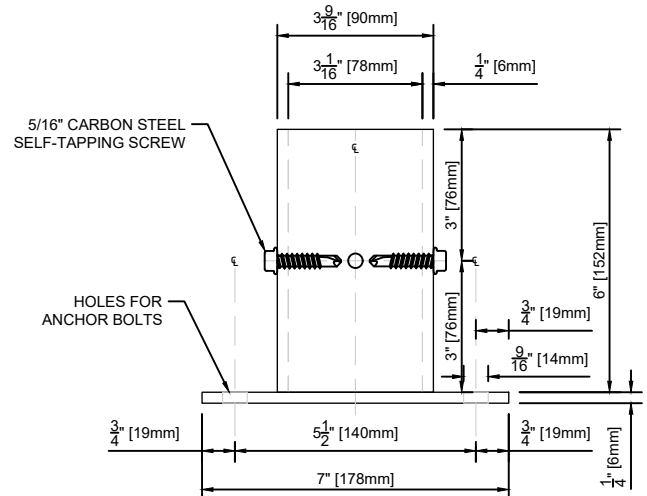
Internal Flange Post Mount Aluminum MT4X4AL (Special Order)

SPECIFICATIONS

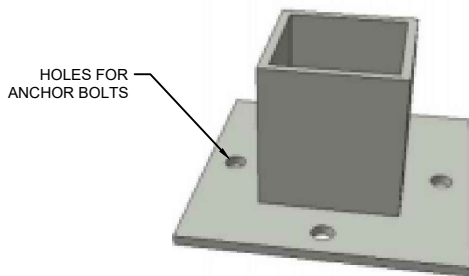
Imperial Size: 7 1/16" x 7 1/16" x 6"
 Metric Size: 178mm x 178mm x 158mm
 Material Thickness: Base Plate: 1/4", Post: 1/4"
 Material: Aluminum
 Finish: Powder Coated Black
 Uses: Mount for Knotwood 4x4 Post (KEGS100100)
 For use on Fence, Screen & Pergola Systems
 Manufacturer: Custom Ordered from 3rd Party



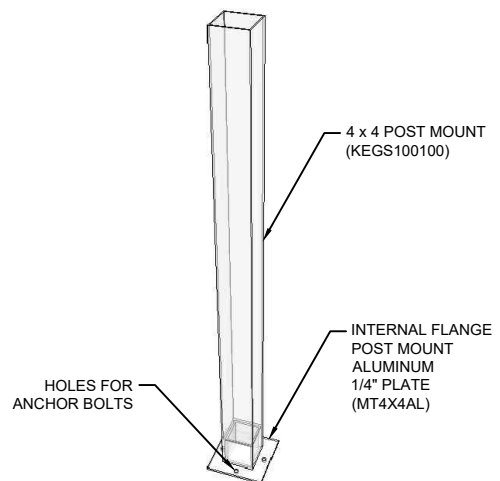
4 x 4 INTERNAL FLANGE POST MOUNT: 1/4" PLATE
 PLAN VIEW



4 x 4 INTERNAL FLANGE SIDE POST MOUNT: 1/4" PLATE
 SIDE VIEW



4 x 4 INTERNAL FLANGE POST MOUNT: 1/4" PLATE



4 x 4 INTERNAL FLANGE POST MOUNT: 1/4" PLATE
 TYPICAL ASSEMBLY